

6

5

4

3

2

1

D

D

C

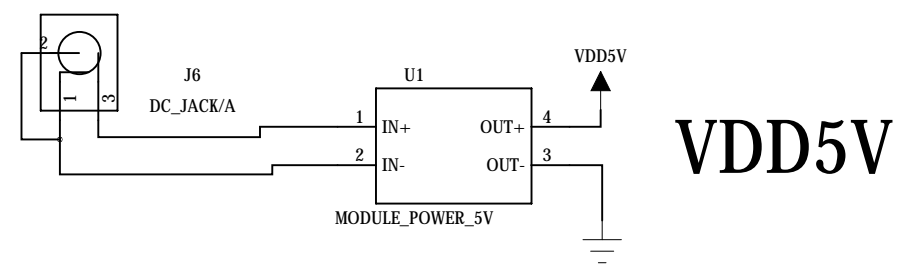
C

B

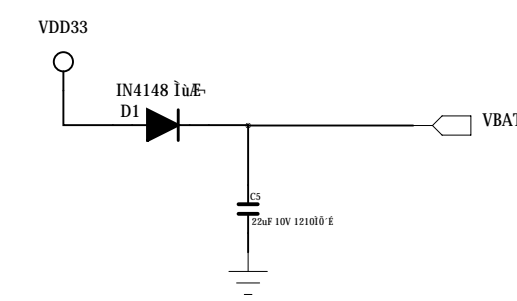
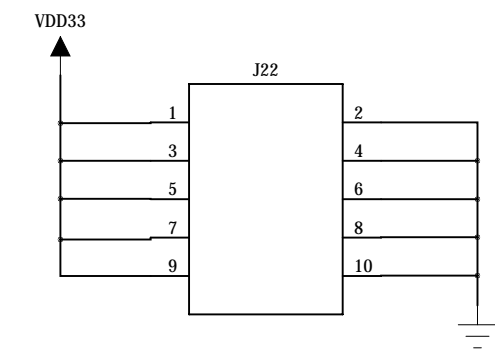
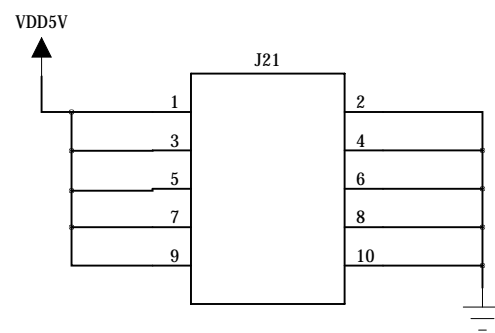
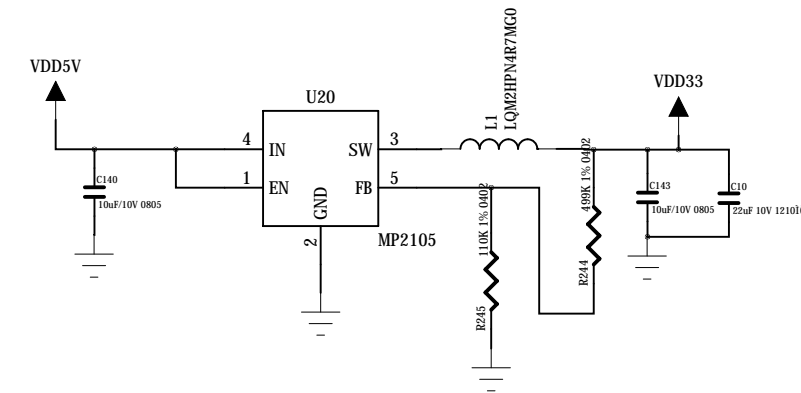
B

A

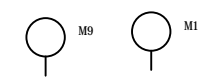
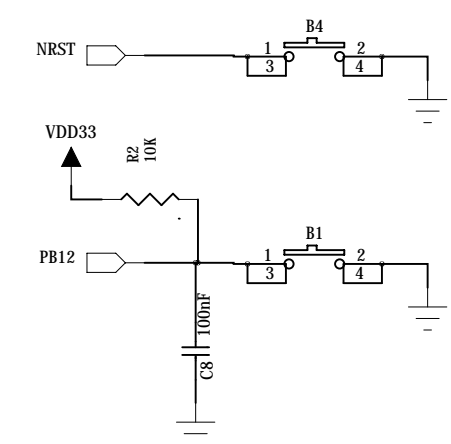
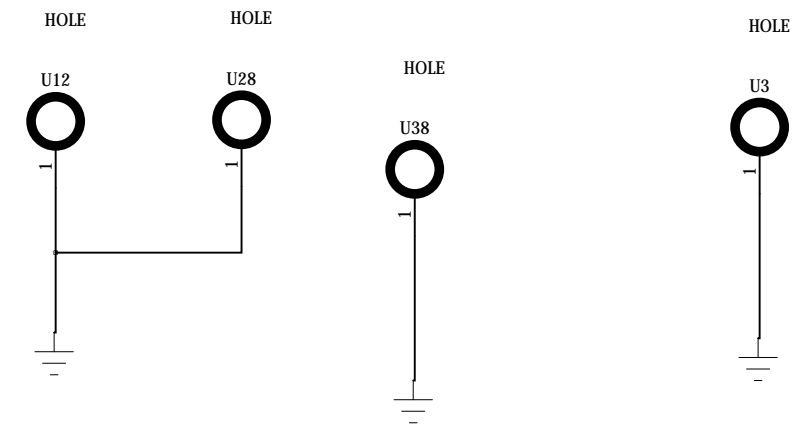
A



VDD5V



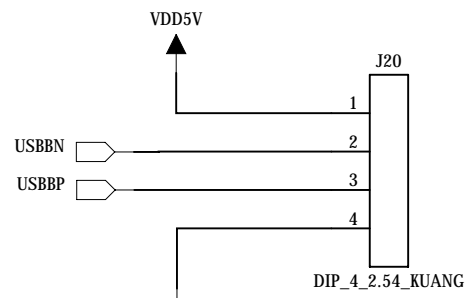
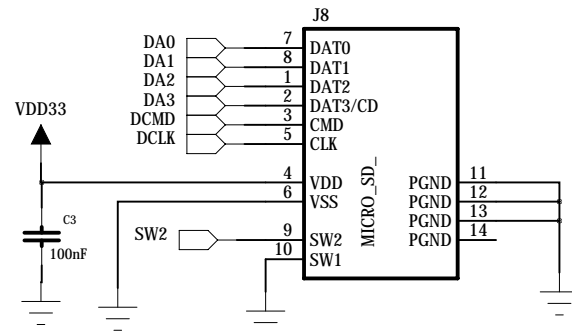
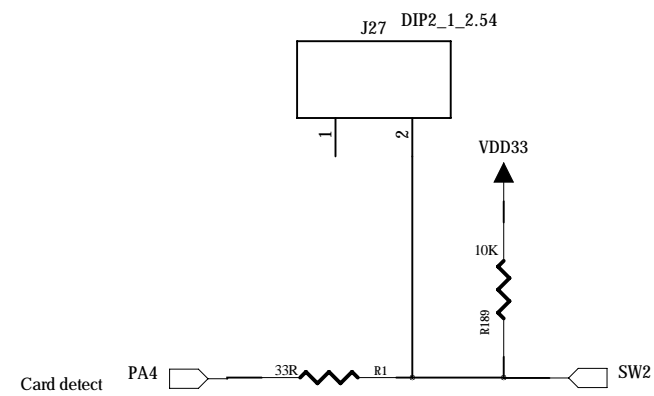
RTC power



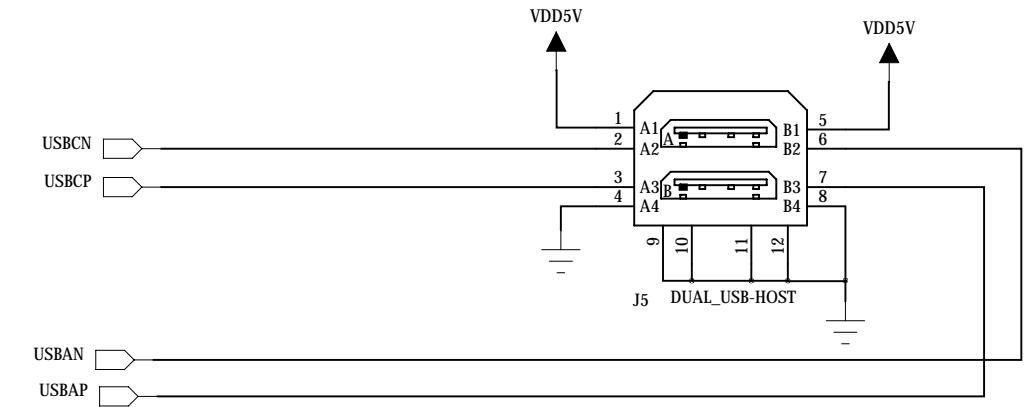
COMPANY: corewind		
TITLE: CORE9G25		
P/N: <CODE>	REV: 1.0	
Design by: CW	Checked by: CW	Approved by: CW
DATED: 2013/11/16	DATED: 2013/11/16	DATED: 2013/11/16
SCALE: <SCALE>	SIZE: A2	SHEET: 1 OF 3

D

D



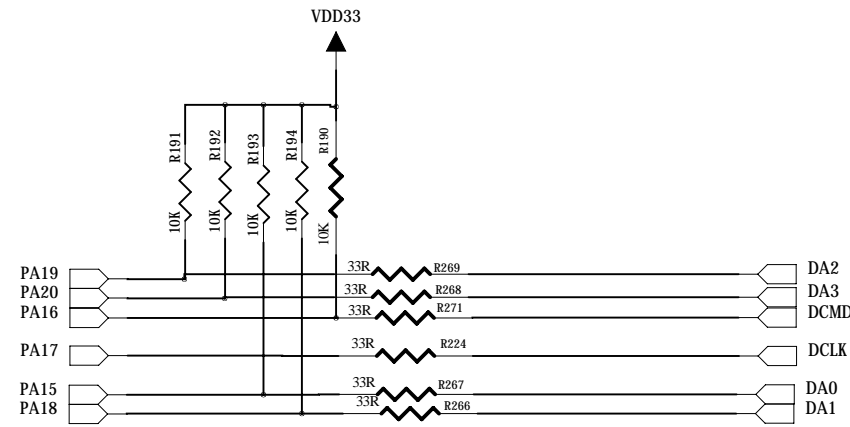
### USBB Host



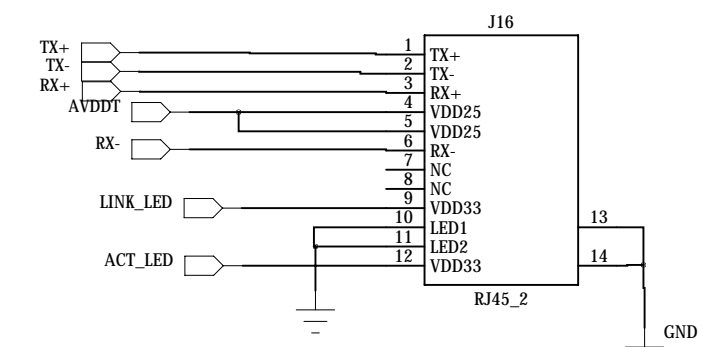
### USB HOST

C

C



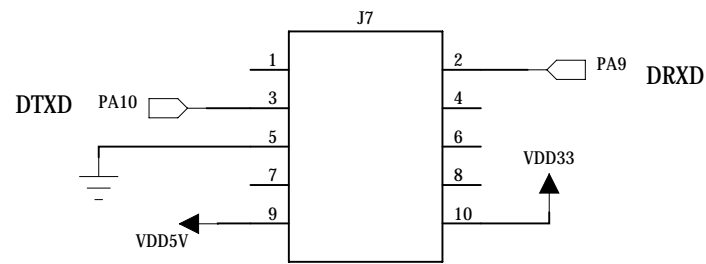
### SD CARD



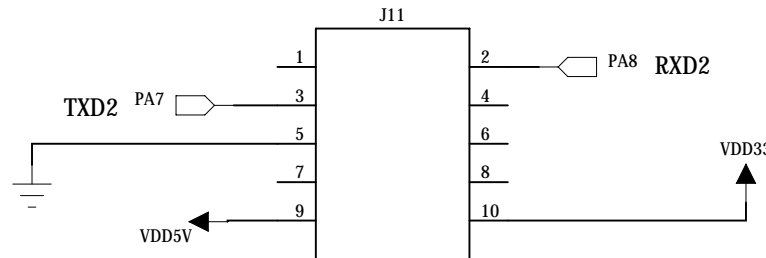
### NET

B

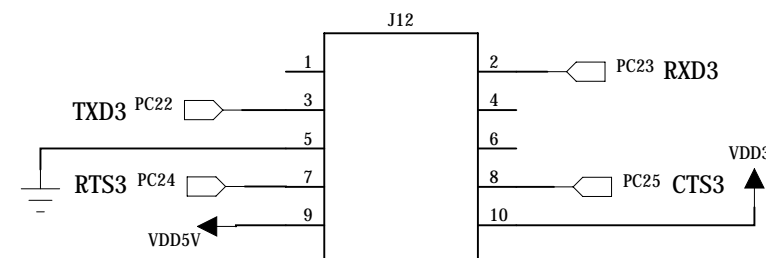
B



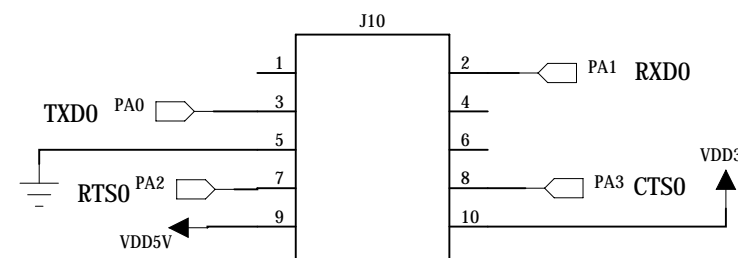
### DEBUG



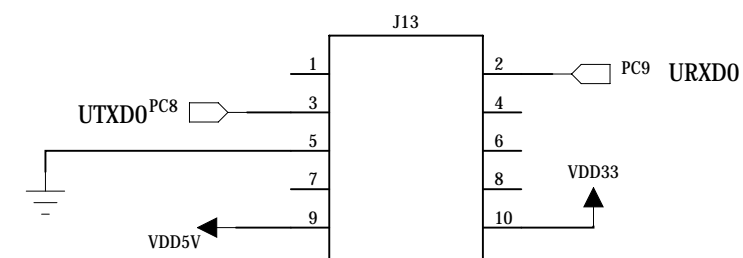
### COM2



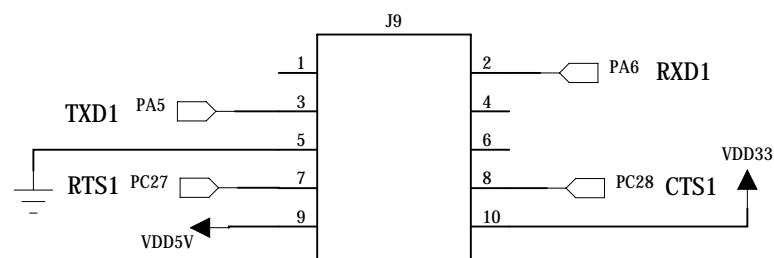
### COM3



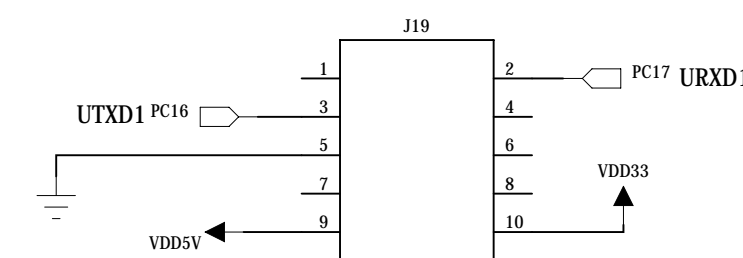
### COM0



### COM4



### COM1



### COM5

A

A

COMPANY: corewind		
TITLE: CORE9G25		
P/N: <CODE>	REV: 1.0	
Design by: CW	Checked by: CW	Approved by: CW
DATED: 2013/11/16	DATED: 2013/11/16	DATED: 2013/11/16
SCALE: <SCALE>	SIZE: A2	SHEET: 2 OF 3

6

5

4

3

2

1

D

D

C

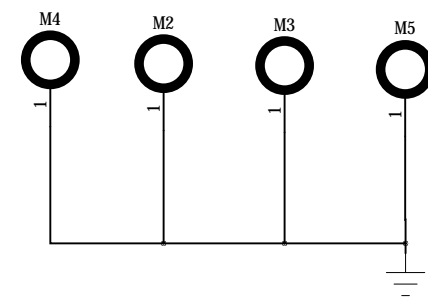
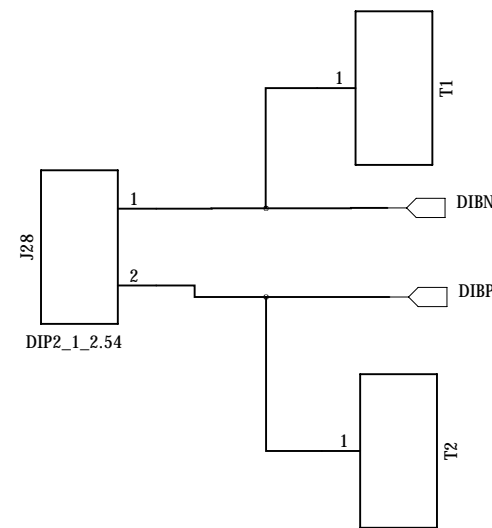
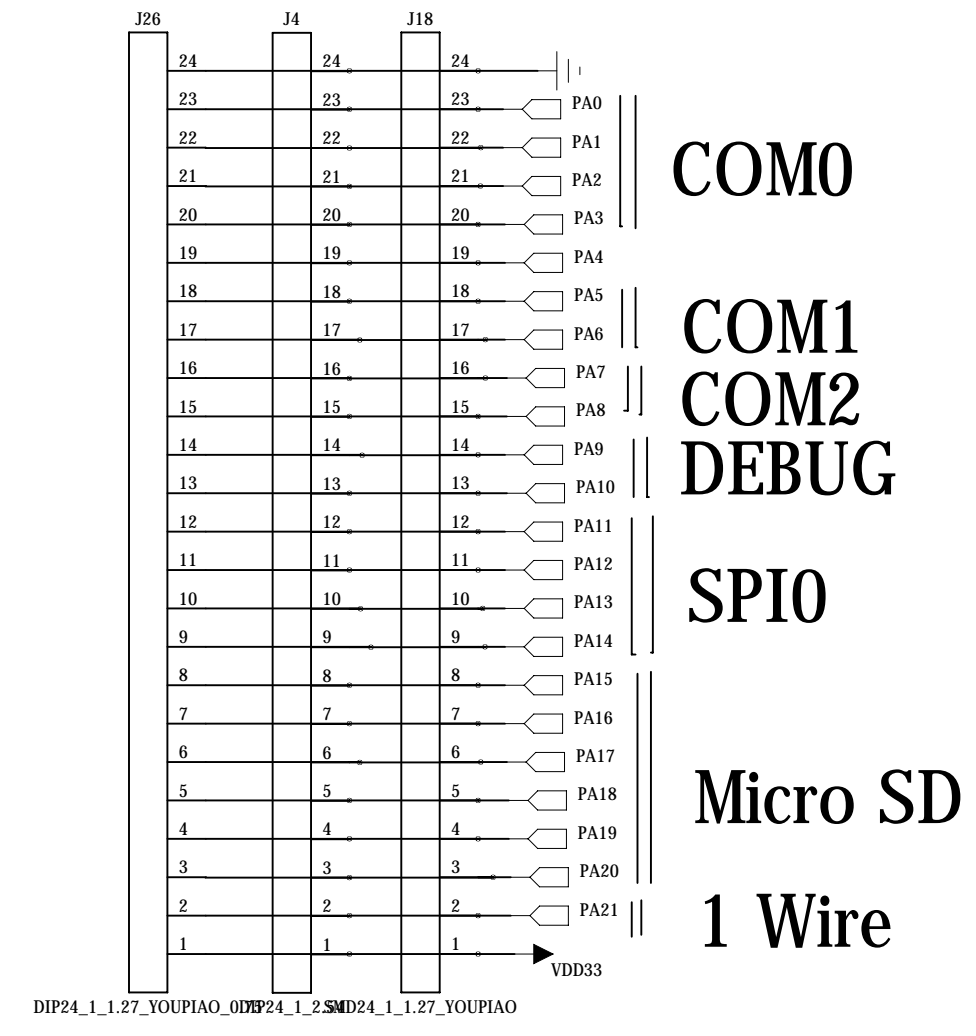
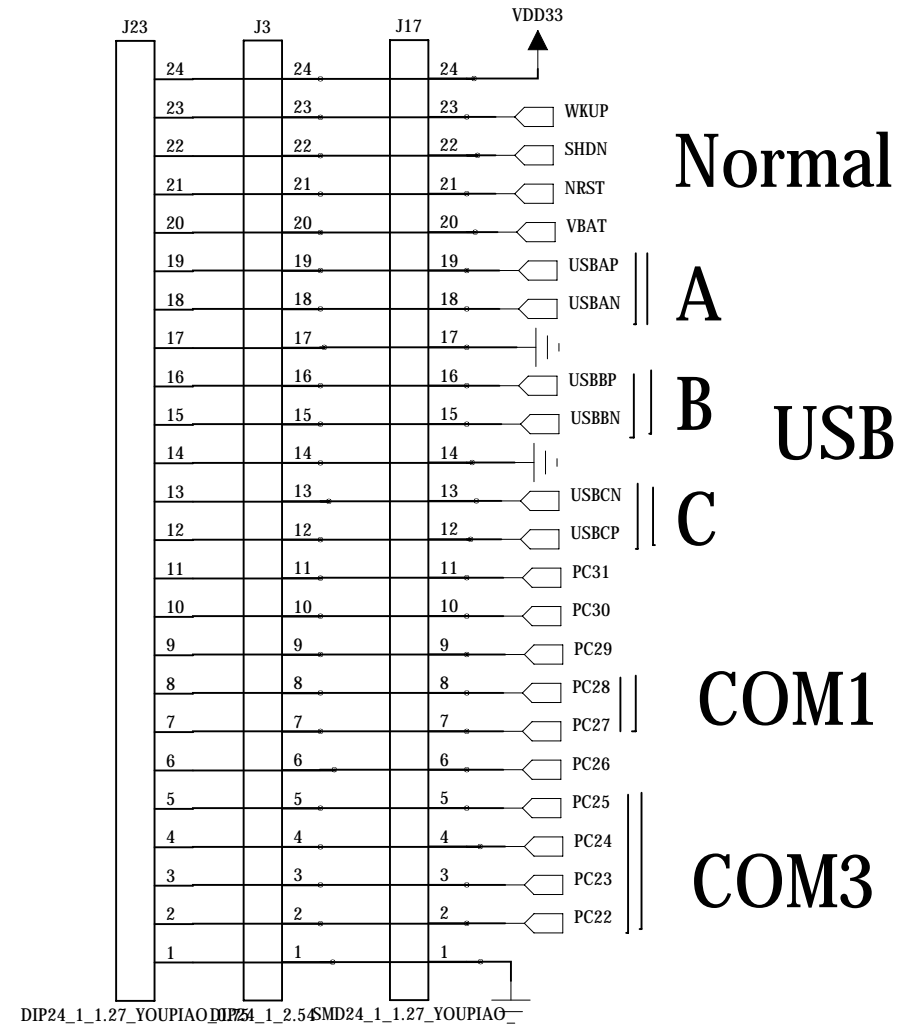
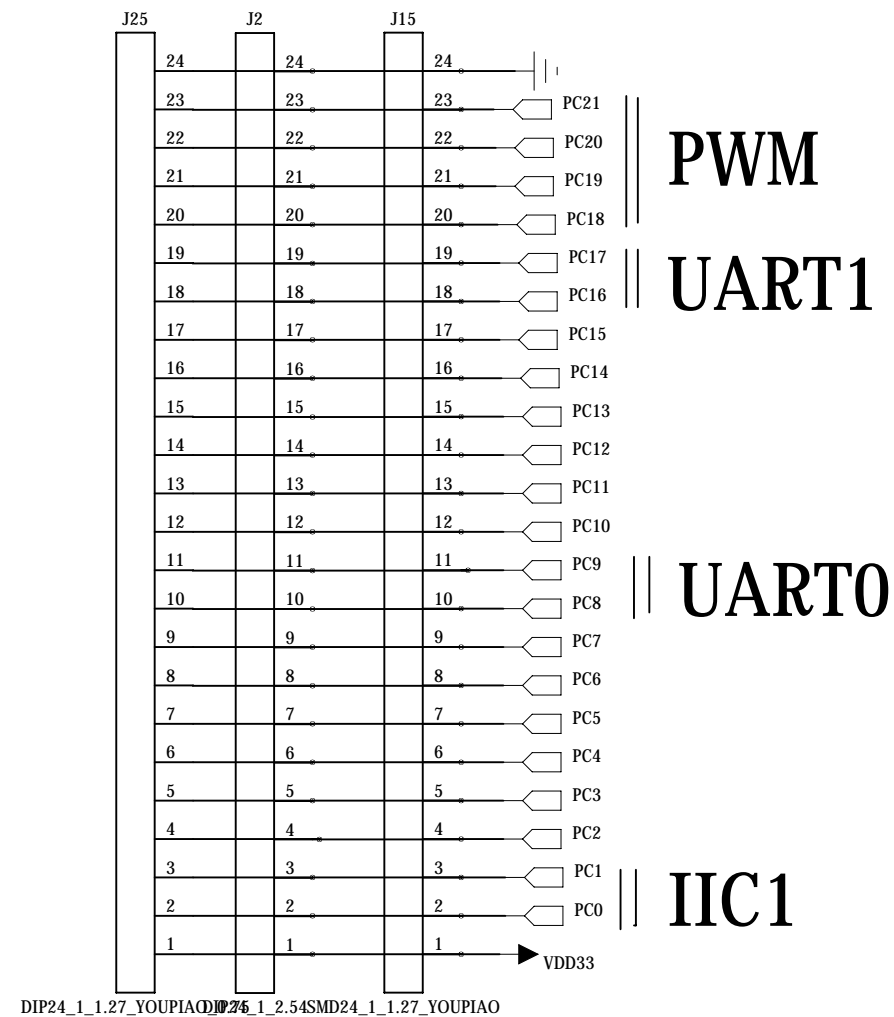
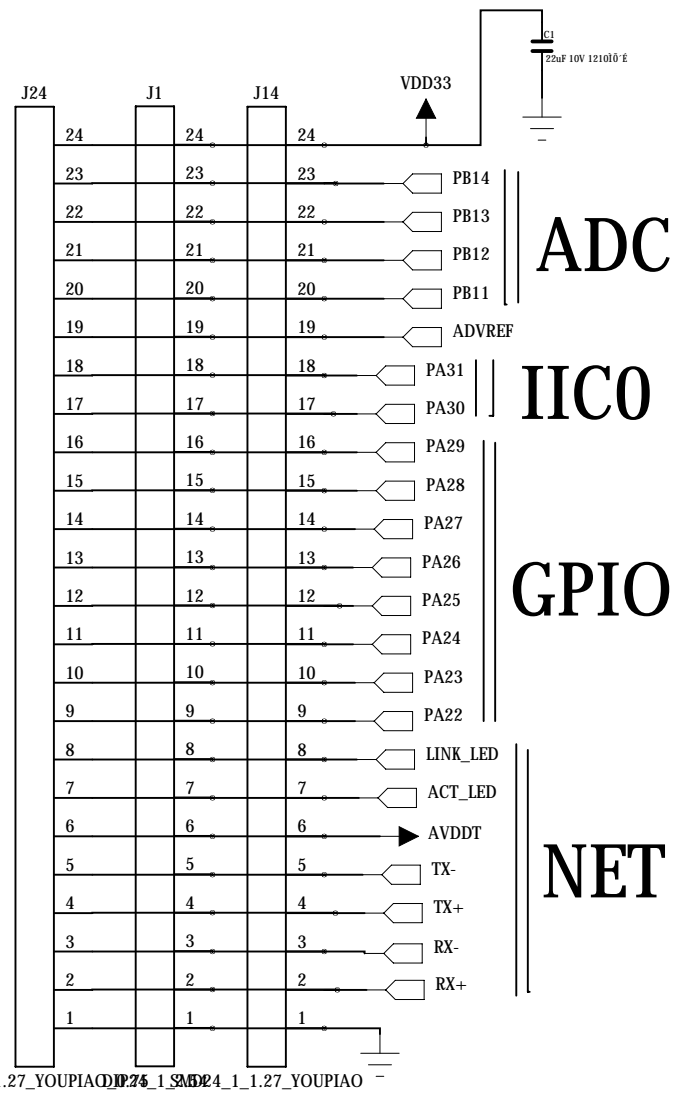
C

B

B

A

A



COMPANY: corewind		
TITLE: CORE9G25		
P/N: <CODE>	REV: 1.0	
Design by: CW	Checked by: CW	Approved by: CW
DATED: 2013/11/16	DATED: 2013/11/16	DATED: 2013/11/16
SCALE: <SCALE>	SIZE: A2	SHEET: 3 OF 3